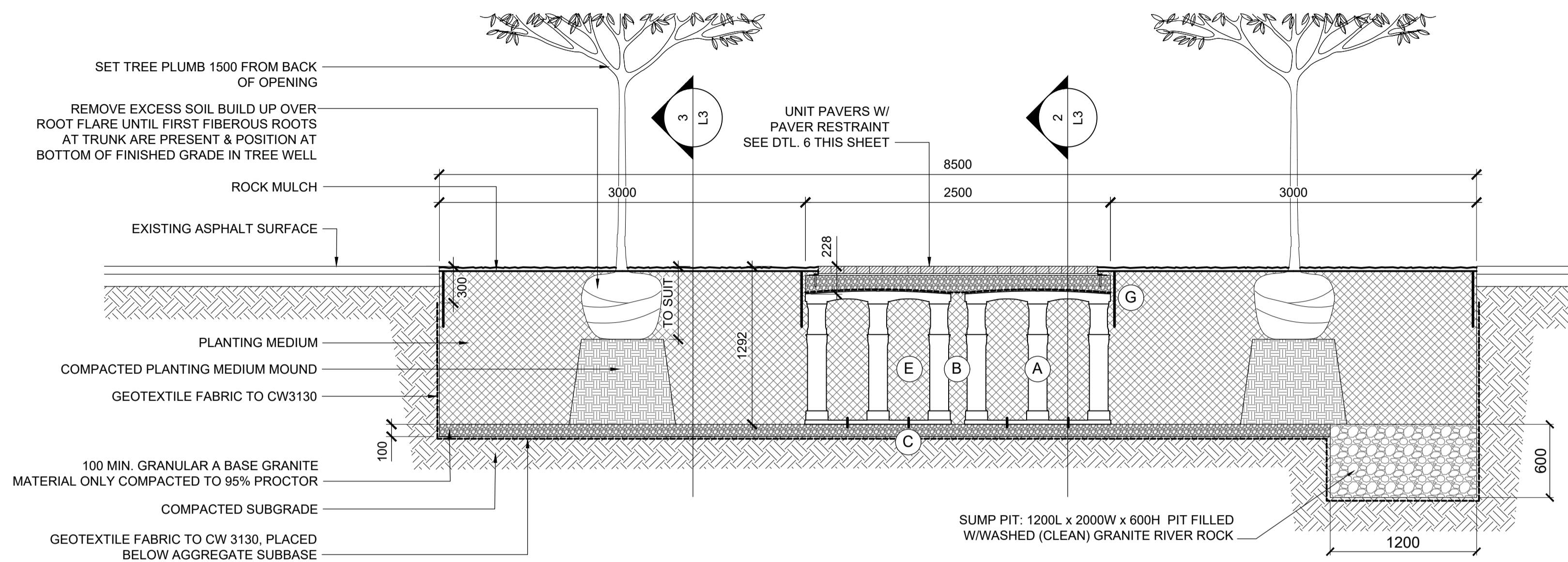
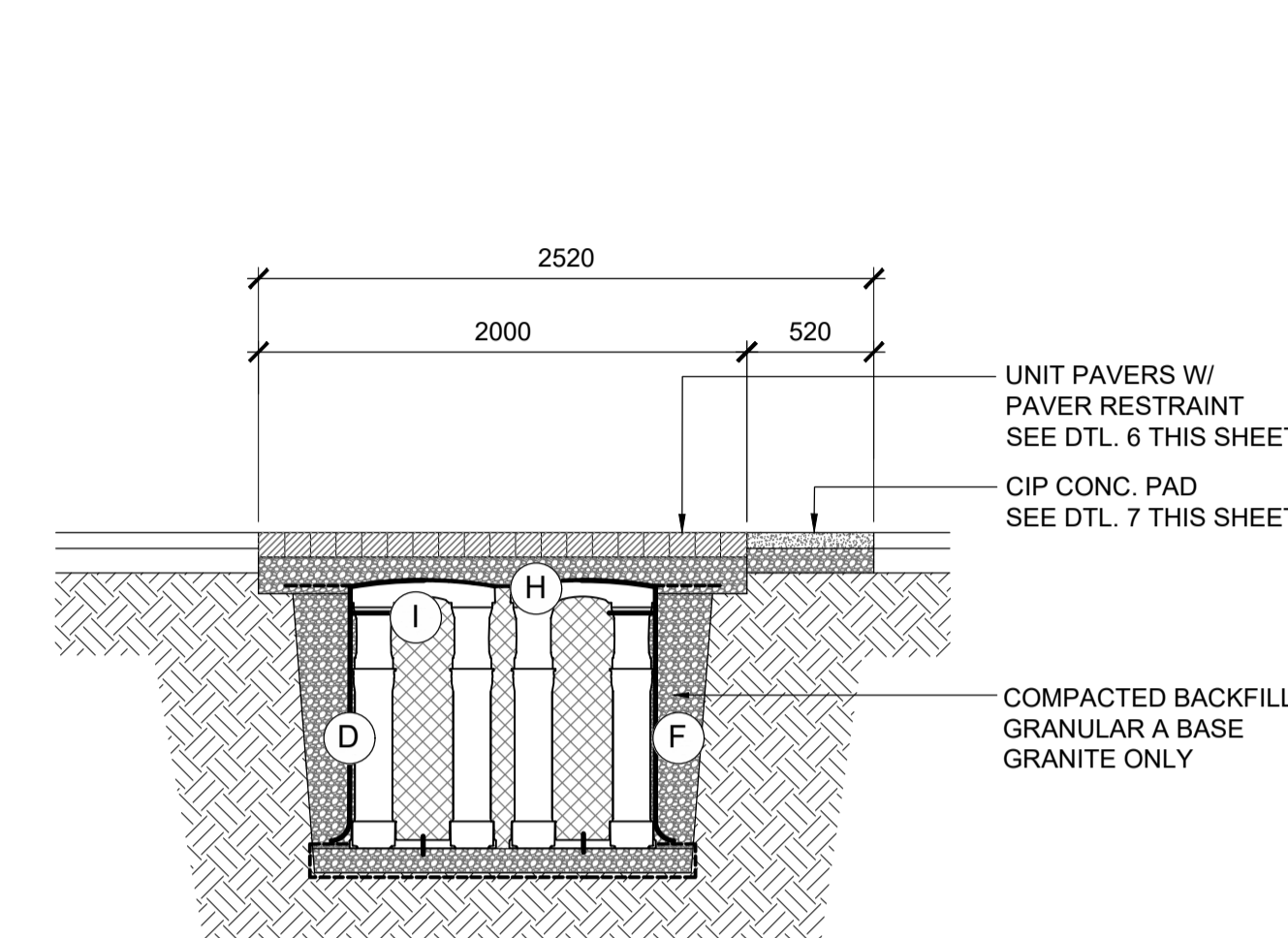


STRUCTURAL SOIL CELL SYSTEM - LEGEND:

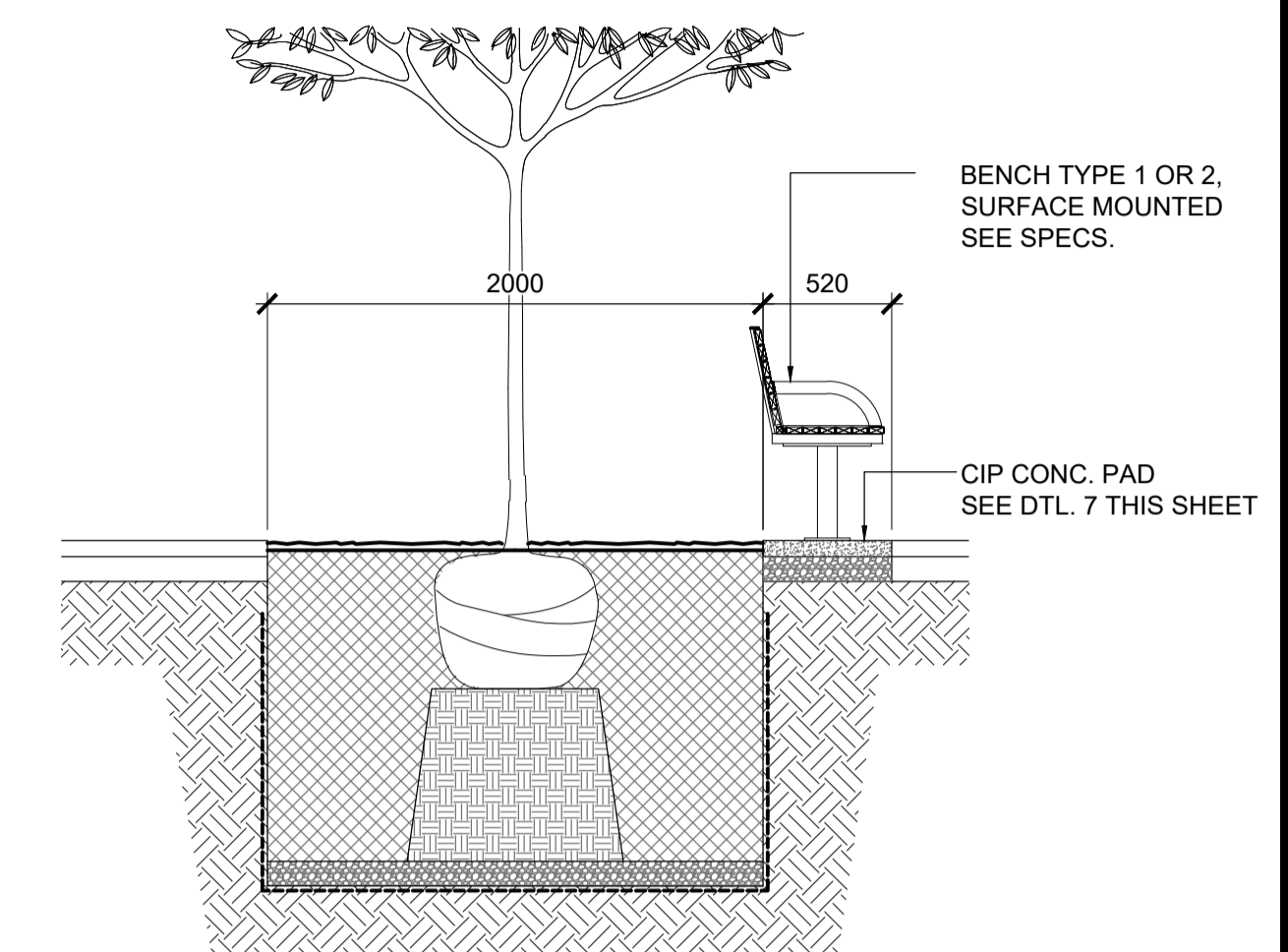
- (A)** SOIL CELL SYSTEM (DECK, BASE & POSTS)
- (B)** 100 GAP BIT SOIL CELLS AT BASE
- (C)** GALV. ANCHOR SPIKES 250 LONG x 10 DIA.
- (D)** GEOGRID PER STRUCTURAL CELL SYSTEM MANUFACTURERS REQUIREMENTS WRAPPED AROUND PERIMETER OF SYSTEM, W/150 TOE (OUTWARD FROM BASE) & 300 EXCESS OVER TOP OF DECK TYP.
- (E)** PLANTING MEDIUM - SEE SPECS. PLACE IN LIFTS & WALK-IN COMPACTED TO 75-85% PROCTOR
- (F)** COMPACTED BACKFILL GRANULAR A BASE GRANITE MATERIAL ONLY
- (G)** DEEPROOT ROOT BARRIER, UB-12-2, 300 DEPTH, INSTALL DIRECTLY ADJACENT TO ASPHALT, CONC. OR PAVER RESTRAINT EDGE
- (H)** GEOTEXTILE PER STRUCTURAL CELL SYSTEM MANUFACTURERS REQUIREMENTS, OVER TOP OF SOIL CELLS, FABRIC TO EDGE OF EXCAVATION
- (I)** CABLE TIE, ATTACHING GEOGRID TO SILVE CELL AT UPPER BASE OF LEG FLARE AS NEEDED, TYP.



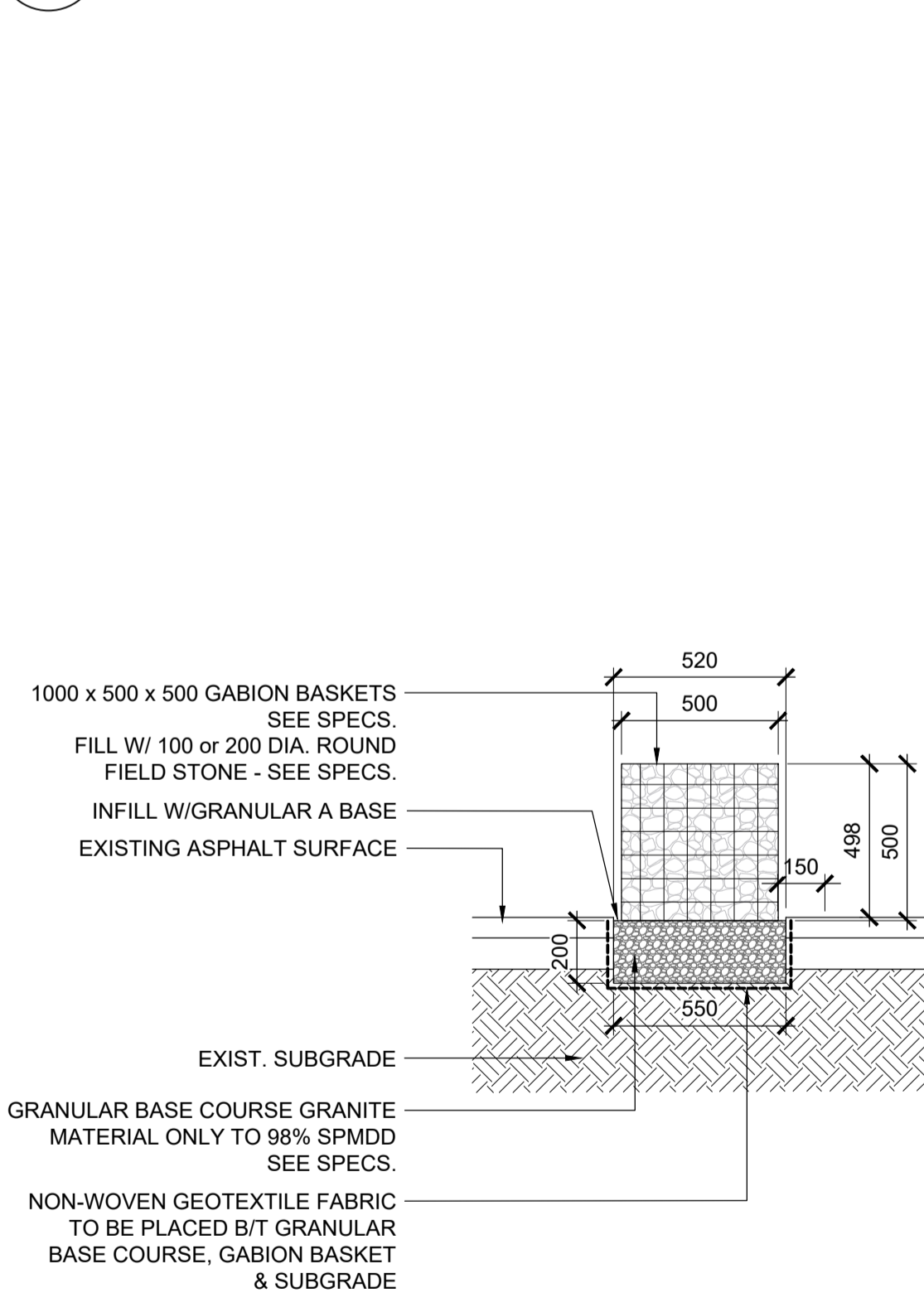
1
L3
SECTION AT TREES & SOIL CELLS
SCALE: 1:30



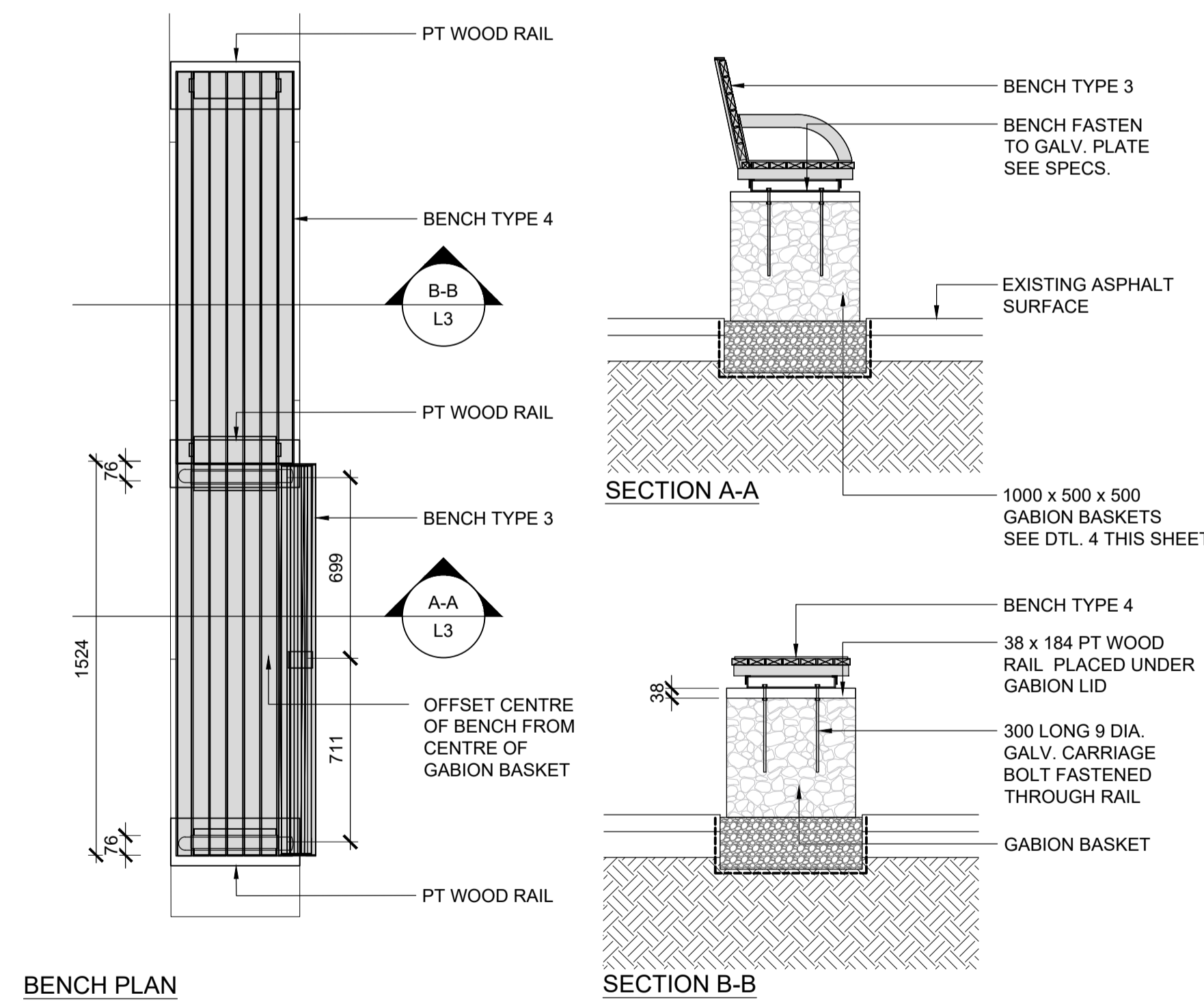
2
L3
SECTION AT SOIL CELLS
SCALE: 1:30



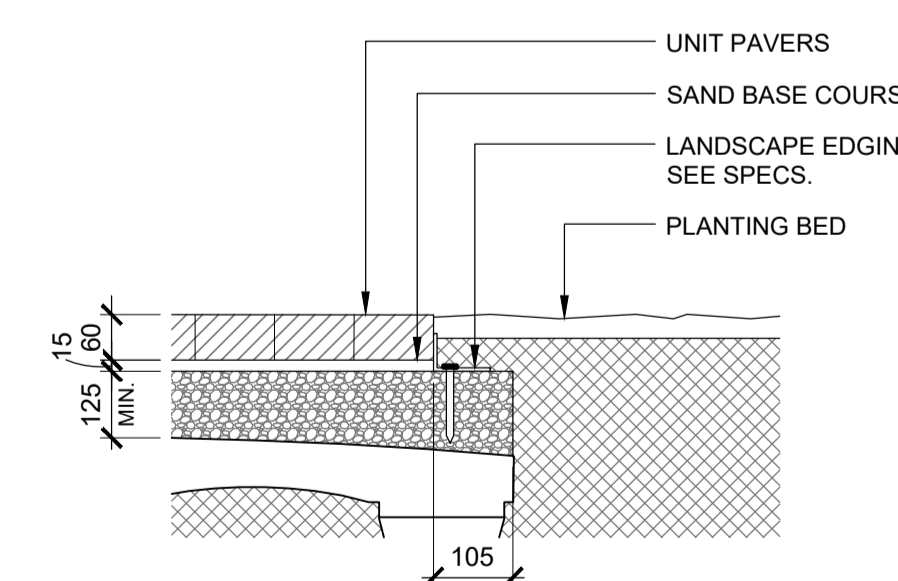
3
L3
SECTION AT TREES
SCALE: 1:30



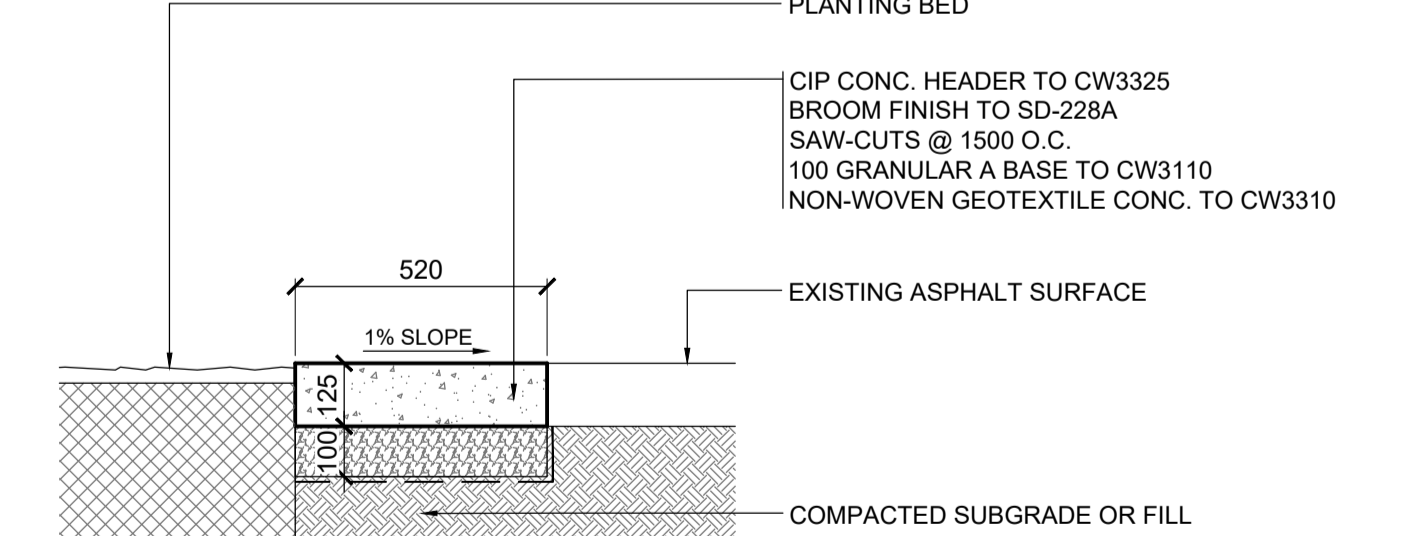
4
L3
GABION SECTION
SCALE: 1:20



5
L3
GABION SECTION INCL. BENCH TYPE 3 & TYPE 4
SCALE: 1:20



6
L3
UNIT PAVERS W/ PAVER RESTRAINT
SCALE: 1:10



7
L3
CIP CONC. PAD
SCALE: 1:15

UNDERGROUND STRUCTURES SUPPLY U/G STRUCTURES DATE	B.M. ELEV.	DESIGNED BY	JH	HTFC PLANNING & DESIGN 500-115 St. Mary's Avenue East, Winnipeg, MB R2S 9S5 PHONE 204-944-9907	ENGINEER'S SEAL JAMES HUDSON Member No. 186 2024-05-17	THE CITY OF WINNIPEG PUBLIC WORKS DEPARTMENT	CITY DRAWING NUMBER
	LOCATION OF UNDERGROUND STRUCTURES AS SHOWN ARE BASED ON THE BEST INFORMATION AVAILABLE, BUT NO GUARANTEE IS GIVEN THAT ALL EXISTING UTILITIES ARE SHOWN OR THAT THE GIVEN LOCATIONS ARE EXACT. CONFIRMATION OF EXISTENCE AND EXACT LOCATION OF ALL SERVICES MUST BE OBTAINED FROM THE INDIVIDUAL UTILITIES BEFORE PROCEEDING WITH CONSTRUCTION.		DRAWN BY				SW
		CHECKED BY	JH				
		APPROVED BY	JH				
		HOR. SCALE	VERTICAL				
		NO. REVISIONS	DATE	BY	DATE	2024-05-17	